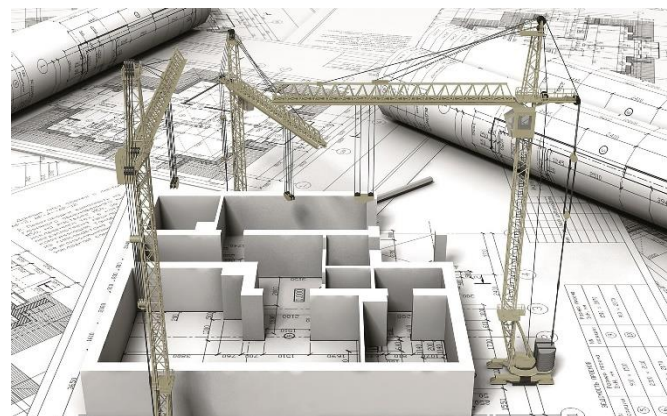
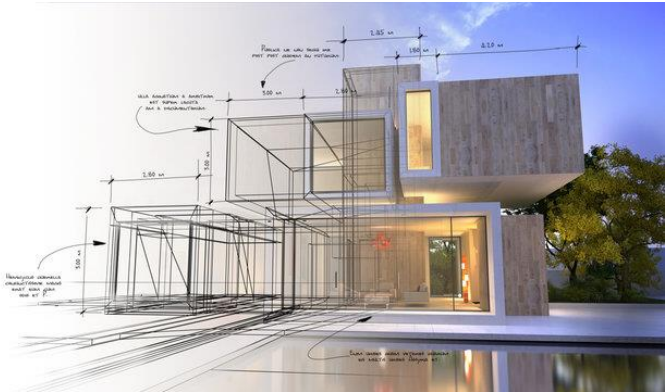


## SERVICES

Services include Architecture Design, M.E.P & Structure Design, Submission / Approval Drawings, Landscape, Interior Design & Construction with top level supervision, if applicable.

### Architectural Design:

- Site Layout
- Layout Plans
- Working Plans
- Elevation 3-D
- Elevation 2-D
- Kitchen Layouts
- Bathroom Layouts
- Door Opening Schedules
- Window Opening Schedules
- Boundary Wall Design
- Staircase Drawing



3 complimentary site visits will be provided for design supervision, locally. Extra or out of city visits will be charged additionally.



### Interior Design:

- False Ceiling Designs
- Floor Pattern Designs
- Wood-work Designs
- Kitchen Cabinet Details
- Bath Tiling and Detailed Designs
- Paint/ Wall papers/ Polish/ Finishes
- Door Designs with Material suggestions
- Window Designs with Material suggestions
- Grill Designs
- Main Gate Design
- Feature Wall designs
- Railing Designs
- Furniture Layouts and Suggestions
- 3-D images of important/selective interior rooms/spaces



3 complimentary site visits will be provided for design supervision, locally. Extra or out of city visits will be charged additionally.



### Landscape Design:

- Layout plans (colored) with reference images/Concept Presentation
- 3d sketches
- Working drawings and component/construction details



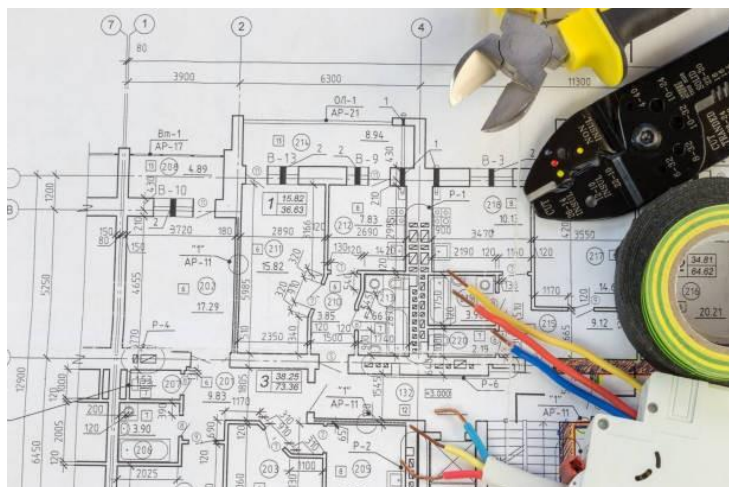
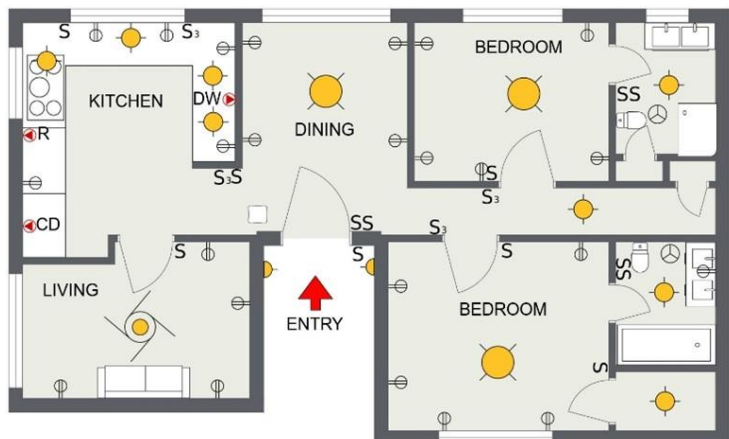
### Submission & Approval:

- File making (Submission Drawing)
- Architect's Certificate
- Structural Engineer's Certificate
- Re-printing the file, in case of objections

Authority/Society fees/un-official payments are excluded and are client's responsibility. As-built drawings/submissions are not included.

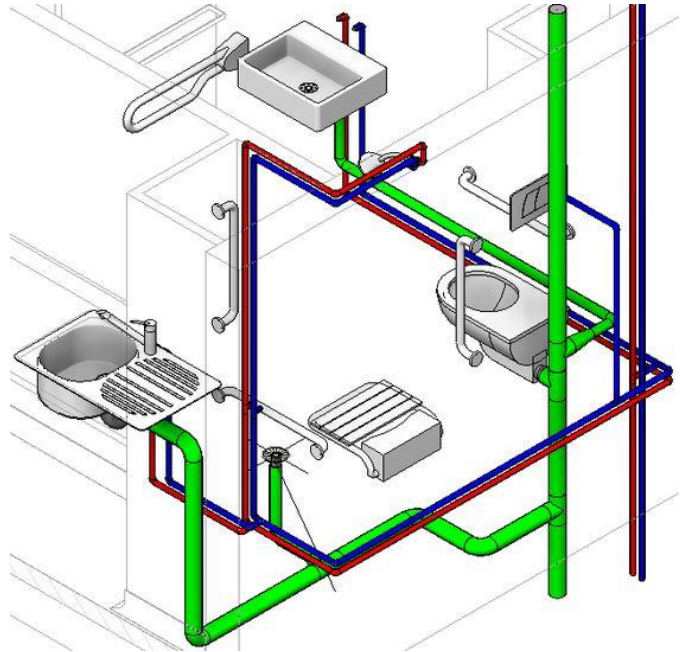
### Electrical Drawings:

- Lighting Plans
- Air conditioning point layouts
- Switch Socket plans
- Fan layouts
- D.B Positions and Drawings
- Television points, Cable points, Internet points
- Telephone points
- C.C.T.V Point Drawing
- Earthing System (If required)
- Single-line Diagrams
- UPS and generator connection details
- Solar design



### Public Health/Plumbing Drawings:

- Cold and Hot water supply Layouts
- Underground and Overhead water tank drawings
- Geyser Points
- Drain Points
- Sewerage- Septic Tank and Man-hole Locations with details
- Rain water pipes
- Slope and Ridge line Drawings
- Khurrah Locations and Detail Drawings
- Gas pipeline layout distribution and point drawings



### Structural Drawings:

- Foundation Design
- Water tank Structural Details
- Beams and Columns
- Slab Designs
- Lintels
- Parapets
- Stair Details



Engineer's Site Visit(s) will be charged additionally, if required.



#### **Extra Services:**

Extra Site Visits/Supervision

- Local (subject to availability)
- Out of City (subject to availability)

#### **As-Built Submissions/Drawings:**

The as-built submissions or drawings that are required for submission to the society after construction is complete or during construction, in case there were violations in the construction.

#### **Animations:**

Fee will depend on the type and scale of project and how much work/detail is required

#### **Bill of Quantities (B.O.Qs)**

Please feel free to discuss and get an exclusive quotation for your project. You may choose to get the complete package with all regular services included or get selective services, depending on your budget and requirements as well as avail our additional services for an extra but very affordable and nominal fee.

We hope to hear from you soon. Have a good day!